

MARSYLIA 35 2D

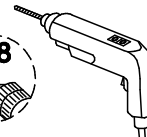
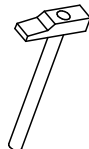
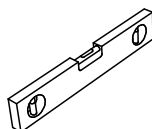
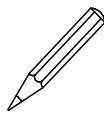
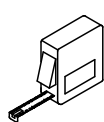
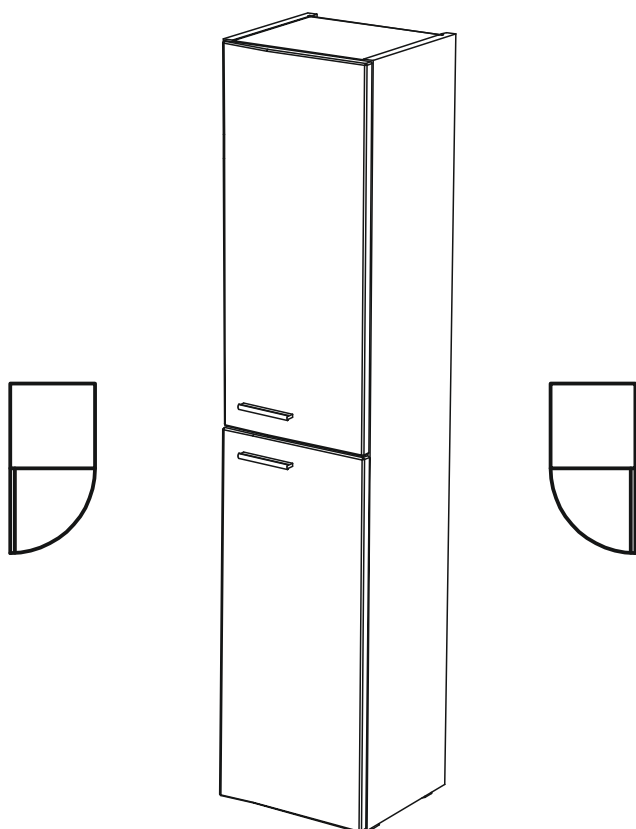
WHITE 164845

BLACK 164860

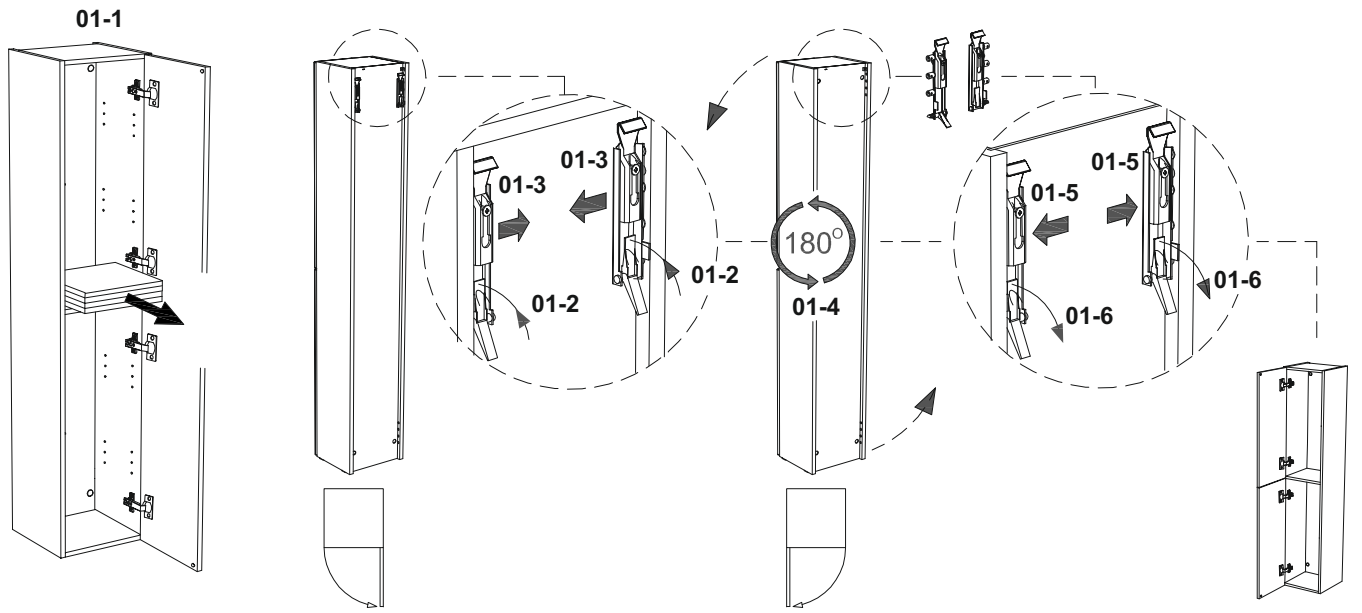
ANTHRACITE 164850

TAUPE 164855

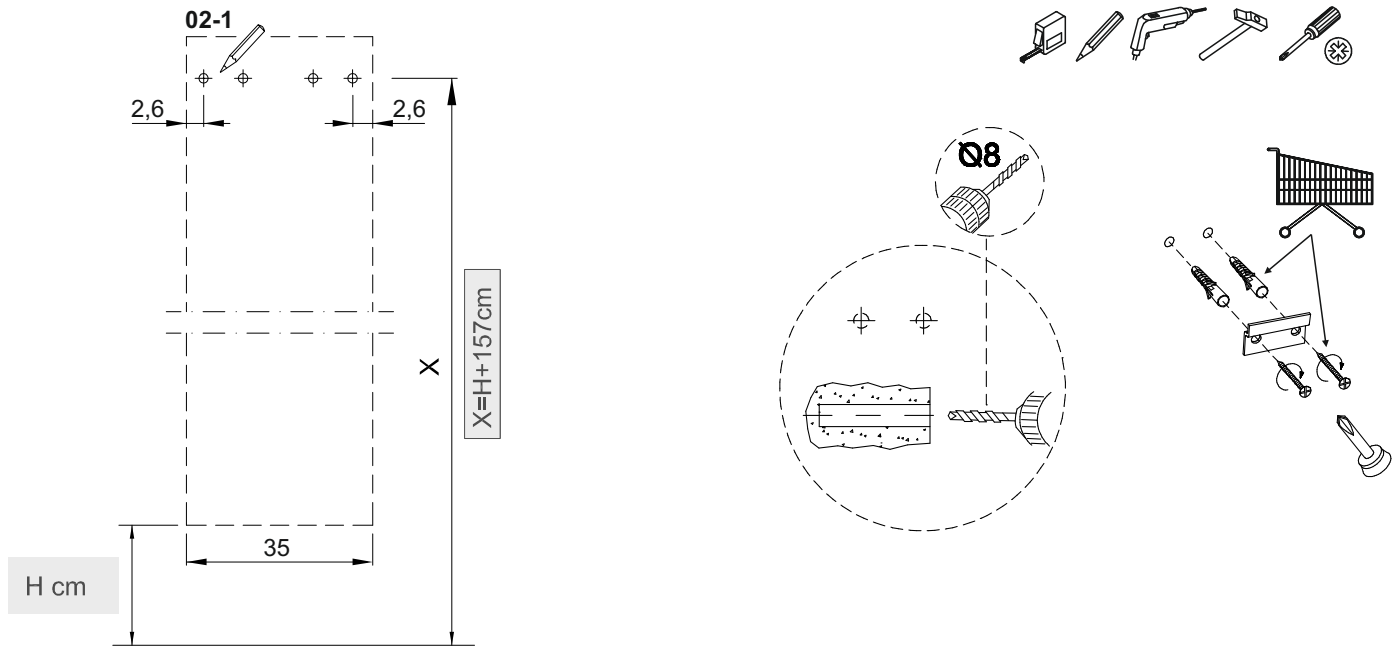
WENGE 164865



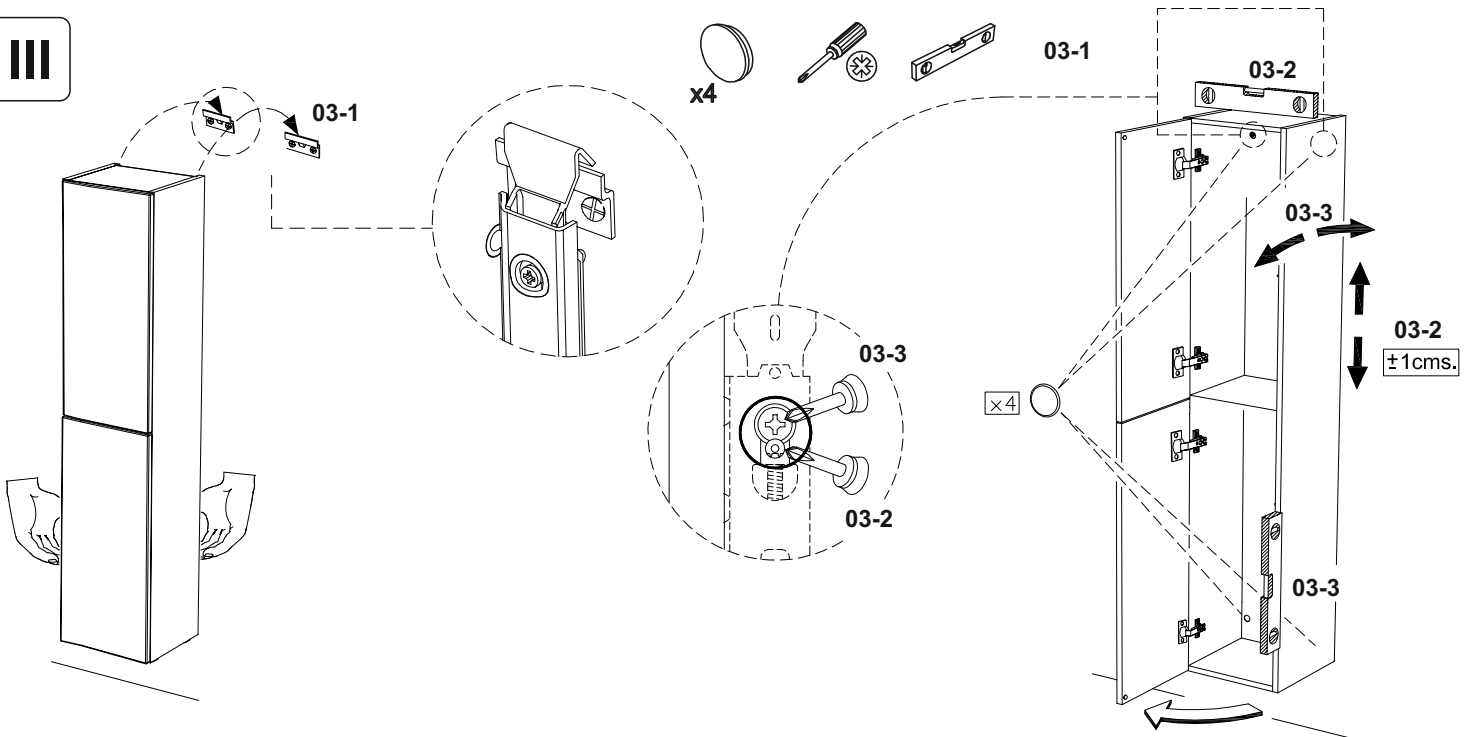
I



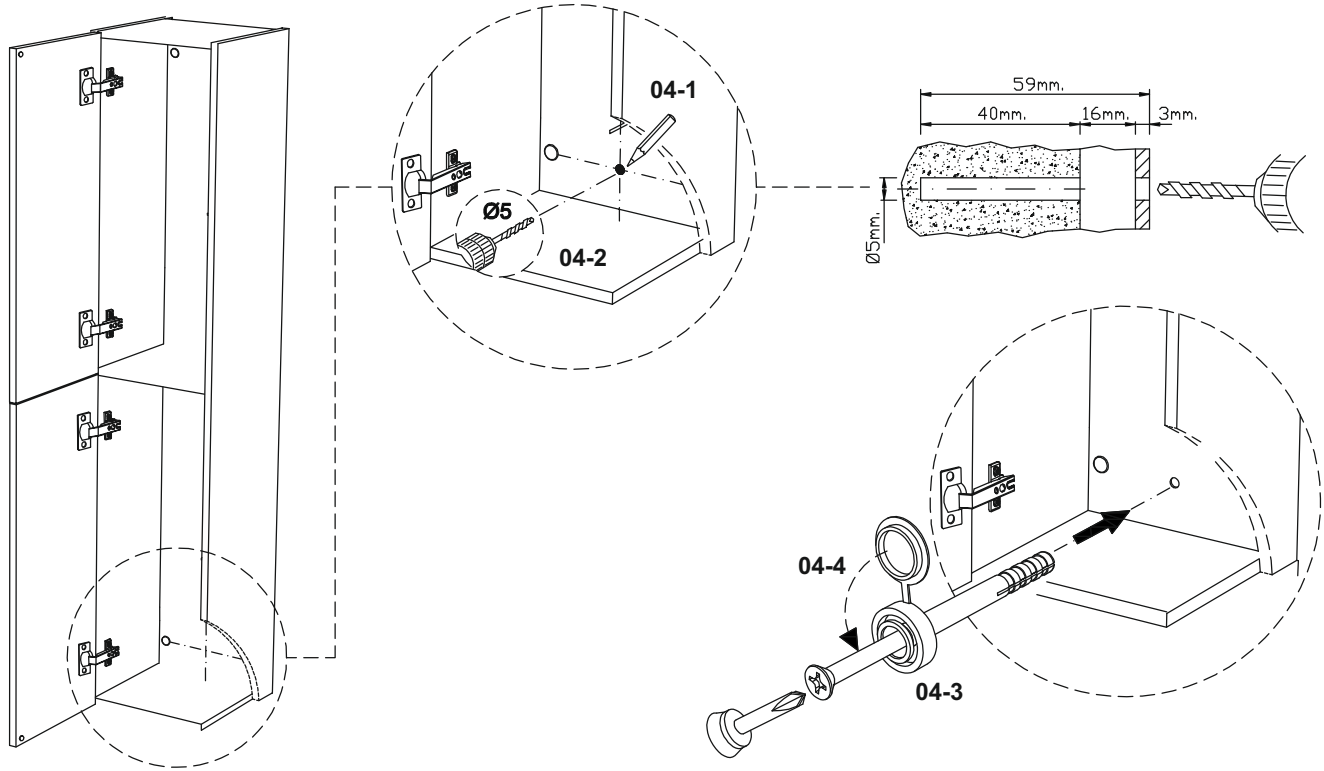
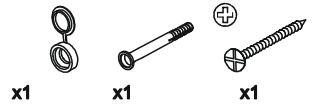
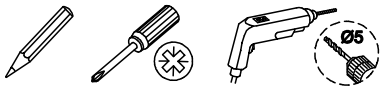
II



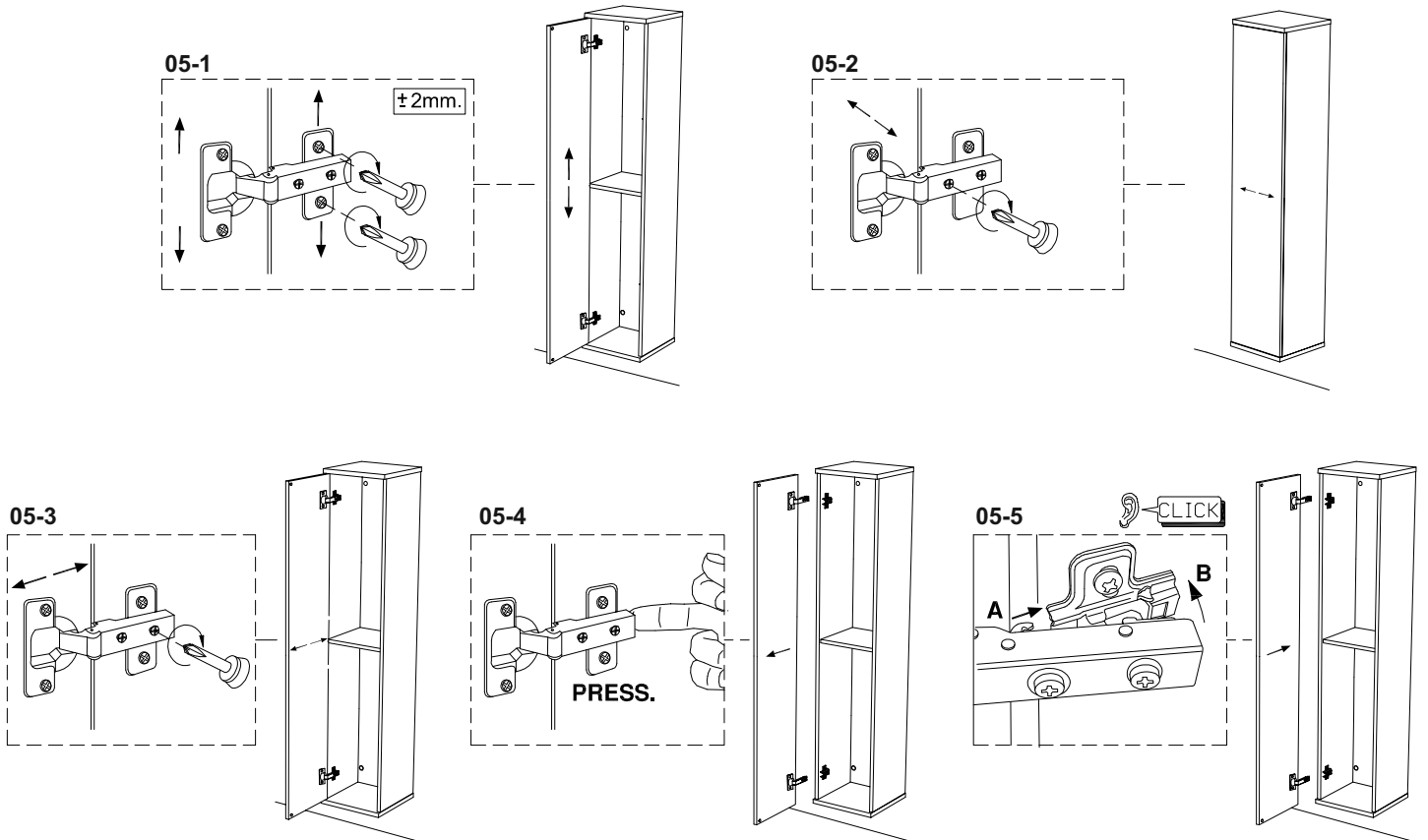
III



IV



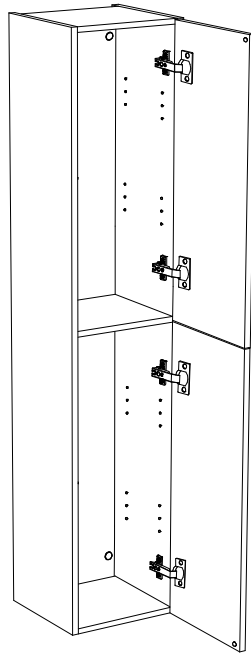
V



VI

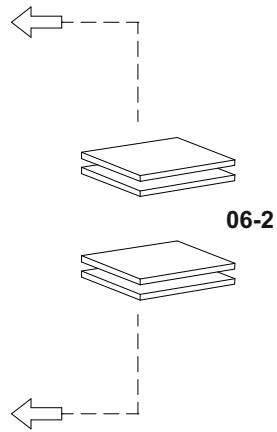

x16


x32



06-1

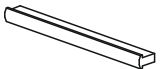

06-2

VII




T3x4


x2

